

# Speedgate

Width

**3m to 8m**

Height

**2m to 3m**

Opening speed

**0,9 to 1,2 m/sec**



## Security

- High security standards
- Fast and silent
- Fully encloses your site
- Resistant against vandalism
- Emergency unlocking mechanism
- Suitable for intensive use
- Space saver: wings disappear behind the columns
- Modular design
- Delivered plug and play

## Parts

- Single speedgate: one wing consisting of two parts
- Double speedgate: two wings consisting of two parts
- Wings consist of tubes (30 x 30 mm) framed by a steel tube (60 x 60 mm)
- Two steel columns (350 x 350 x 8 mm)
- Hot dip galvanized

## Control

- FEIG FUZ-B with single turn encoder and plug-in loop detector
- Feedback via relay: speedgate open or closed
- Single turn encoder: motor retains its position with power loss

## Detection

- Dual detector on master controller in front and behind the gate
- Photo cell poles on the inner side
- Photo cell curtain
- Contact strips to prevent damage

## Mechanism

- Power: 230V AC / 3A
- Drive: motor with master-slave configuration (0,25kW) in each column

## Options

- Upper and lower catch
- Photo cell protection
- Traffic light
- Signal light
- Different colour by a polyester coating

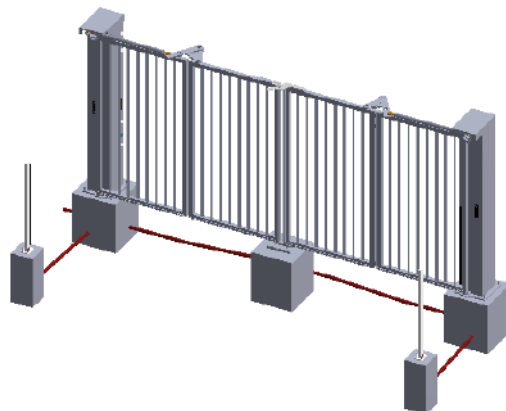
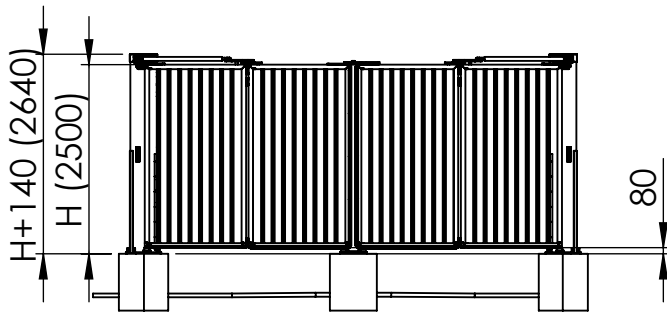
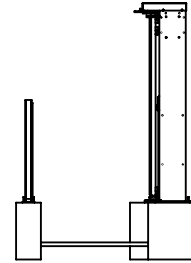
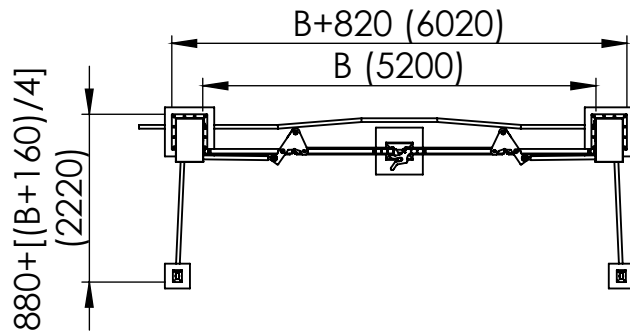
## Possibilities

- Opening direction: in or out
- Partial opening (for pedestrians)
- Deadman's lever
- Opening master side wing only



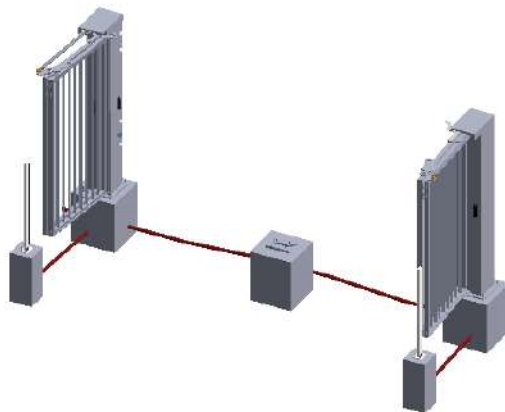
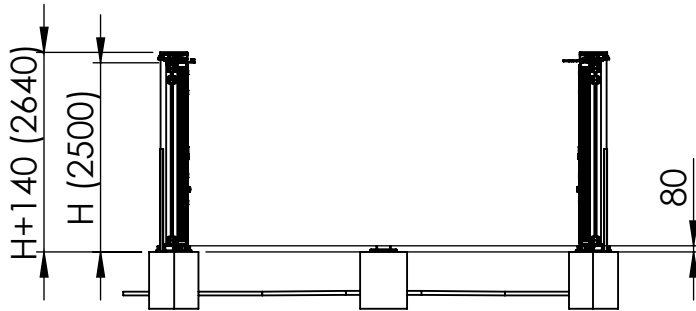
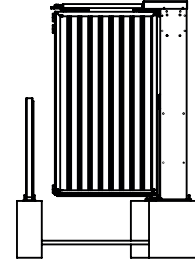
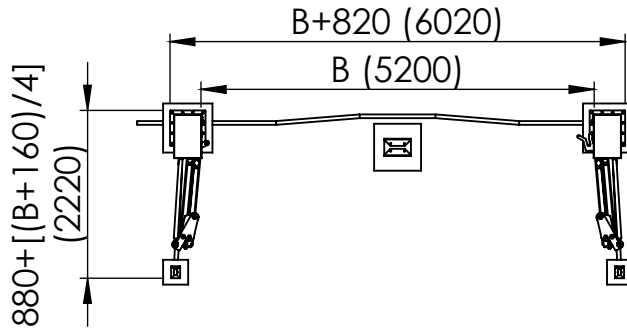
### Dimensions double speedgate trackless closed

**W: 8000mm max.**  
**H: 3000mm max.**



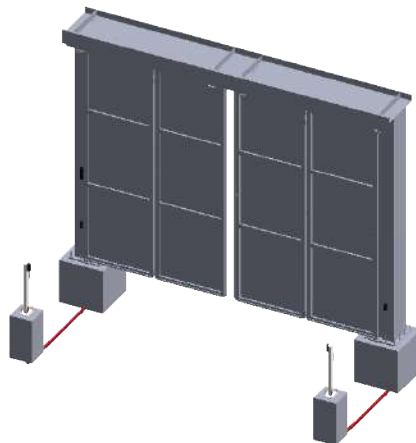
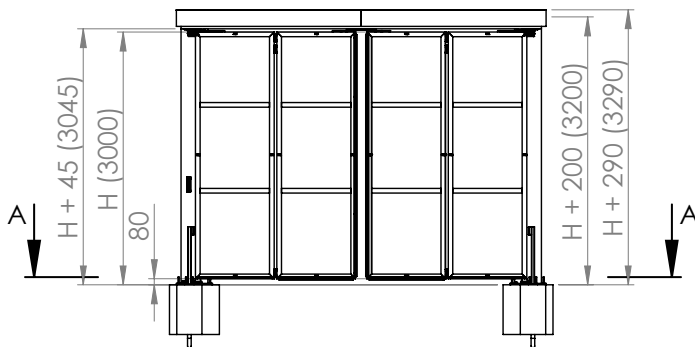
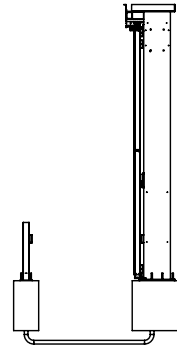
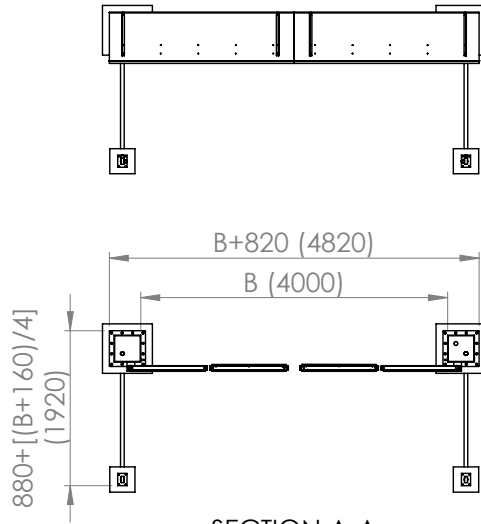
**Dimensions double speedgate trackless open**

**W: 8000mm max.**  
**H: 3000mm max.**



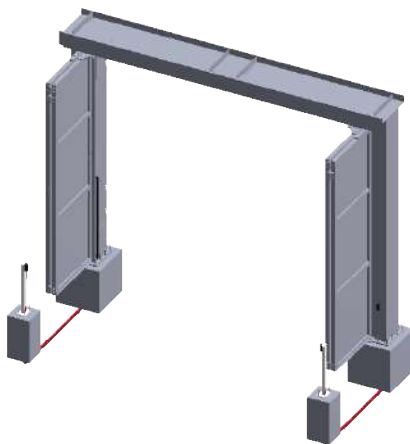
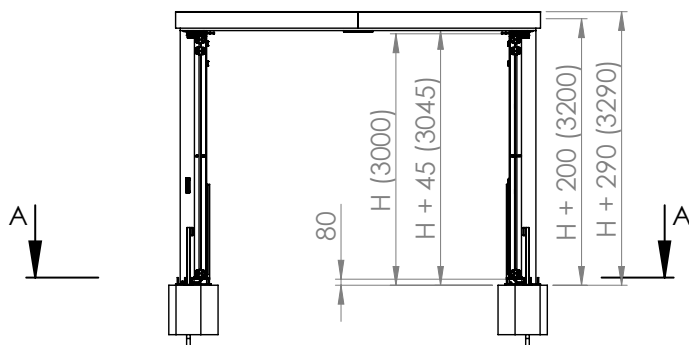
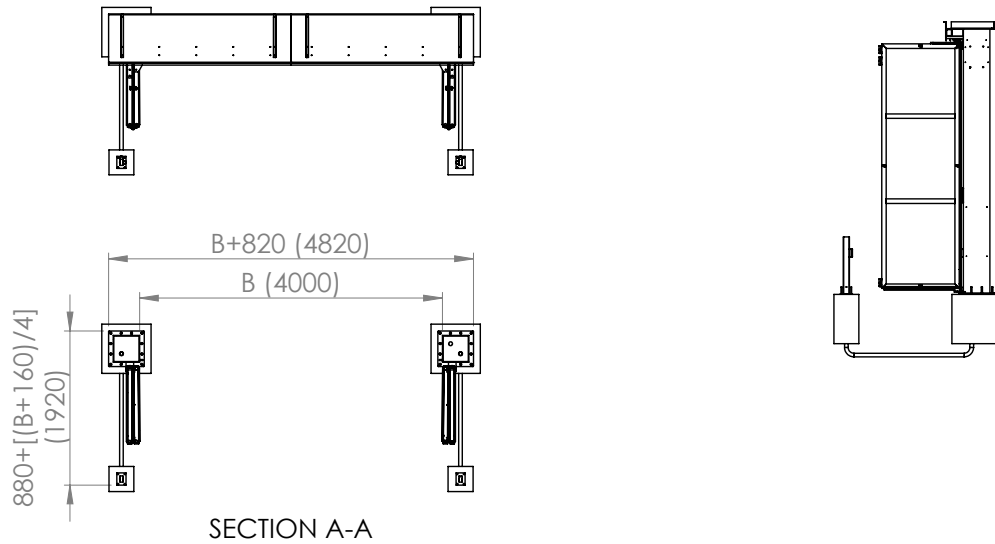
**Dimensions double speedgate overhead guide closed**

**W: 8000mm max.**  
**H: 4000mm max.**

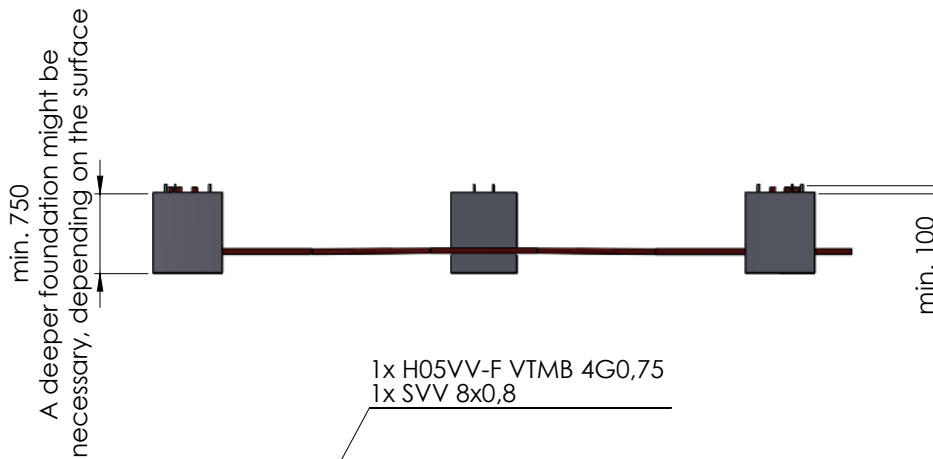
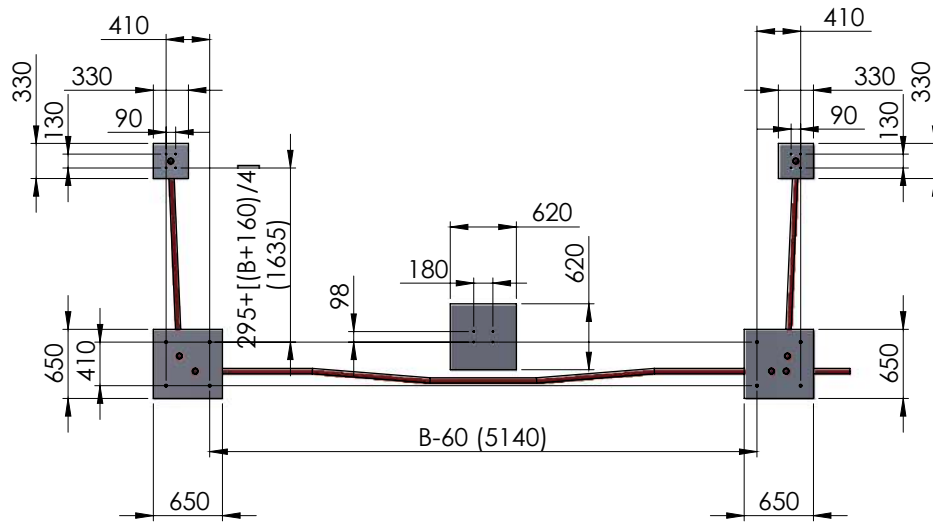


## Dimensions double speedgate overhead guide open

**W: 8000mm max.**  
**H: 4000mm max.**



## Foundations double speedgate



1x H05VV-F VTMB 4G0,75  
1x SVV 8x0,8

1x H05VV-F VTMB 4G0,75  
1x SVV 8x0,8

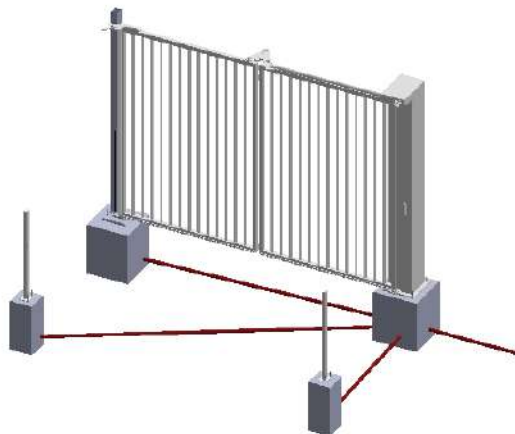
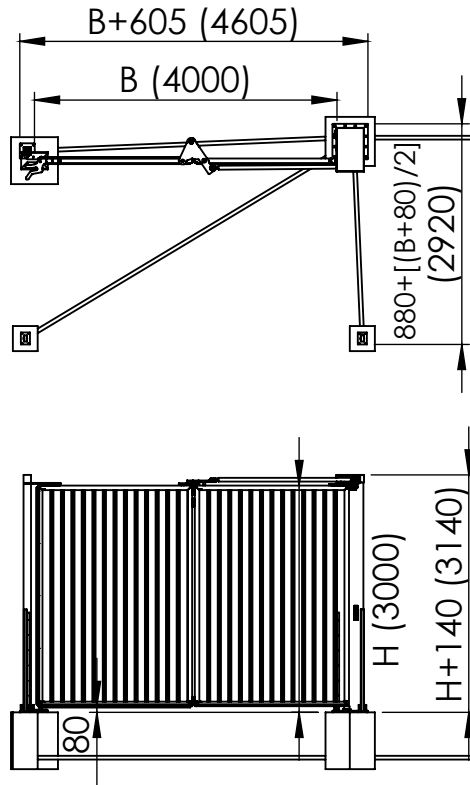
2x H05VV-F VTMB 4G0,75  
2x SVV 8x0,8  
1x LIYCY 2x2x0,75  
1x XVB 3G2,5

1x XVB3G2,5 (to ALSB)  
1x SVV 8x0,8 (feedback position speedgate)  
1x SVV 20x0,8 (drive speedgate)

All cables must protrude the conduit beyond 2m.!

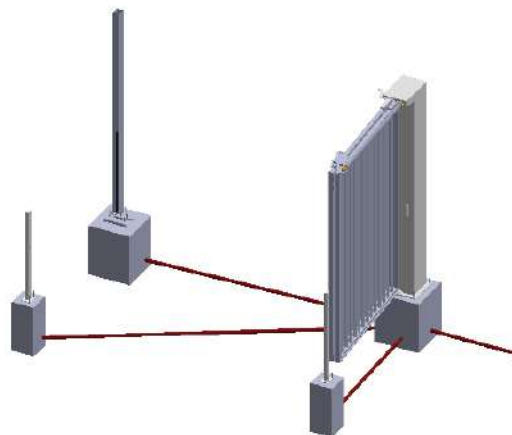
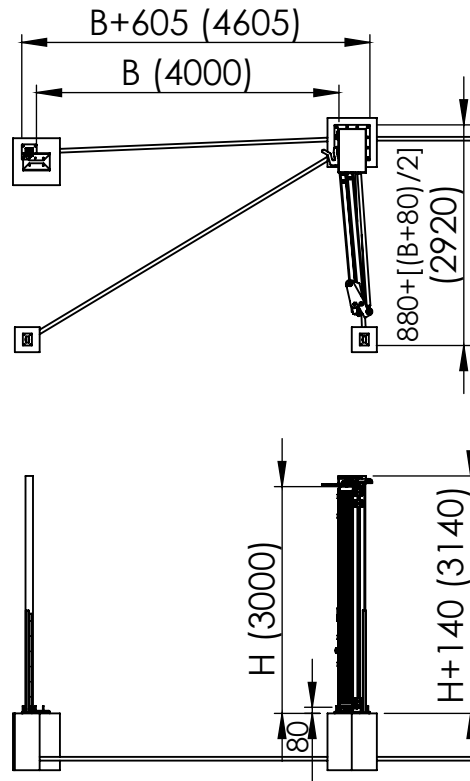
### Dimensions single speedgate trackless closed

**W: 4000mm max.**  
**H: 3000mm max.**



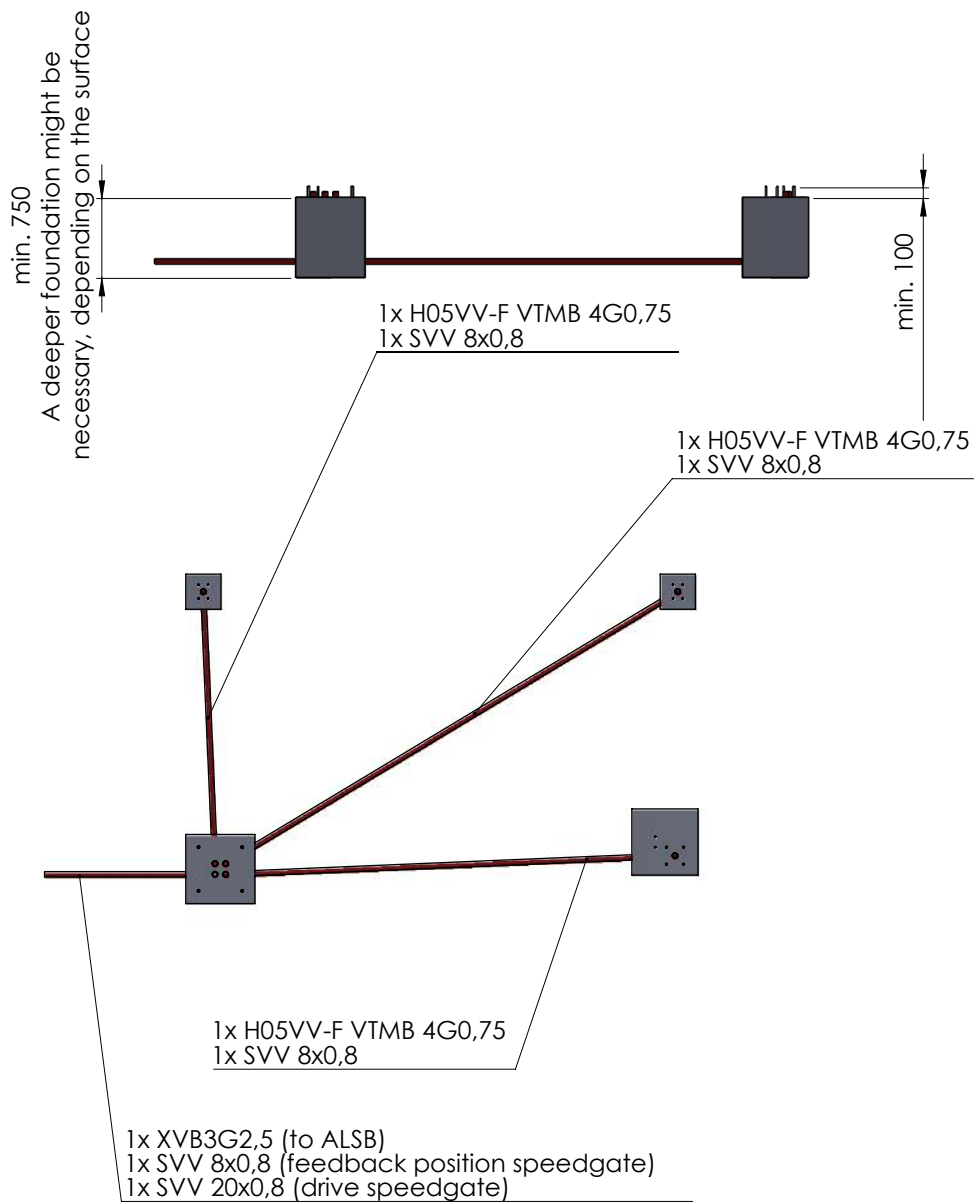
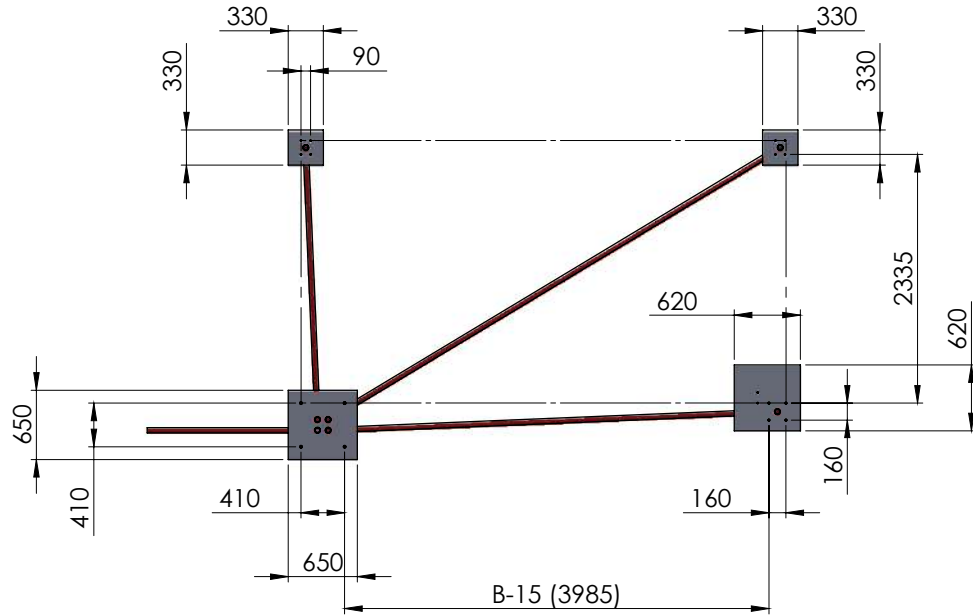
### Dimensions single speedgate trackless open

**W: 4000mm max.**  
**H: 3000mm max.**





### Foundations single speedgate



All cables must protrude the conduit beyond 2m.!